

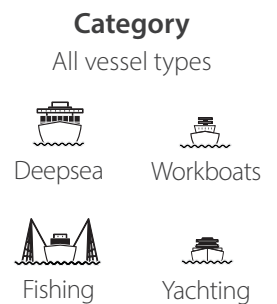
# 406 MHz Satellite Emergency Position Indicating Radio Beacon (406 MHz Satellite EPIRB)



Tron 60AIS



- Conforming to the IMO resolution MSC.471 (101)
- AIS homing technology included for faster localization
- Supports Multi-GNSS
- Prepared for RLS\* through Galileo
- Infrared LED light for night vision devices and assisted SAR



\*: Return Link Service

# Features |

This EPIRB has been tested for operational and performance requirements in accordance with the international standard, IEC 61097-2 Ed.4 (April 2021). Both regular LED light and infrared LED light are built-in to better support SAR activities at night and in the dark. The Tron 60AIS offers Galileo Return Link Service, Europe's Global Navigation Satellite System (operational since January 2020).

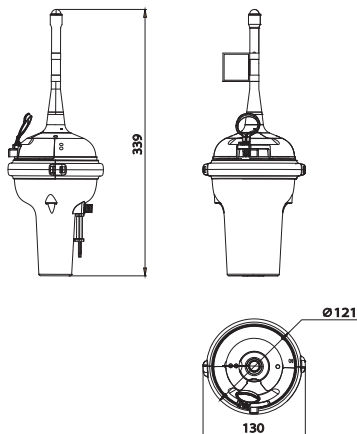
# Specifications |

General Specification	
Antenna 406 MHz Cospas-Sart Transmitter 121.5 MHz Homing Transmitter AIS Transmitter	Omni directional
GNSS Receiver	PCB inverted-F antenna
Battery Type Voltage	Lithium metal 12 VDC/2.9 Ah (Term of validity: 10 years)
Release Sensor	Made by Hammer (Term of validity: 2 year)
Activation	Automatic and manual
Deactivation	Move the switch back to its middle position and pick up the beacon unit from sea water.
Standard Compass Safe Distance	0.8 m
Battery Operating Time	More than 48 hours
Operating Temperature	-20 °C to 55 °C
Stowage Temperature	-30 °C to 70 °C
EPIRB Unit Dimension	H339 mm x W130 mm x D121 mm
EPIRB Mass	Approx. 0.7 kg
Float-free Bracket Dimension	H385 mm x W151 mm x D153 mm
Float-free Bracket Mass	Approx. 1.0 kg

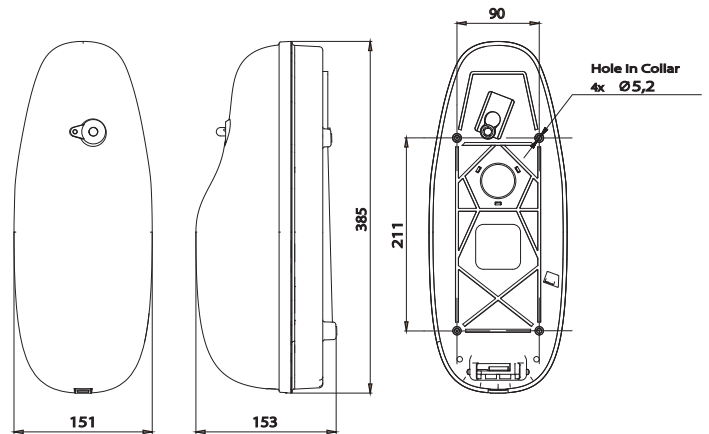
406 MHz Cospas-Sarsat Transmitter	
Transmitter Frequency	406.031 MHz
Output Power	5 W
Modulation	Phase modulation
Data Encoding	Bi Phase L
Stability	
Short Term Stability	Less than $2 \times 10^{-9}$
Medium Term Stability	Less than $10^{-9}$
Residual Noise	Less than $3 \times 10^{-9}$
Bit Rate	400 bps
GNSS Receiver	
Global Navigation Satellite System	GPS, GLONASS, Galileo
121.5 MHz Homing Transmitter	
Transmitter Frequency	121.500 MHz
Output Power	Up to 100 mW
Modulation	AM Sweep range: 700 Hz Sweep rate: 2.5 Hz
Stability	10 ppm over temperature range
AIS Transmitter	
Transmitter Frequency	161.975 MHz (AIS 1) 162.025 MHz (AIS 2)
Output Power	1 W
Modulation	GMSK
Stability	$\pm 1$ kHz

# Tech Specs |

EPIRB RoHS  
Tron 60AIS Weight: Approx. 0.7 kg (1.55 lbs)



Float-free Bracket RoHS  
FB-60 Weight: Approx. 1.0 kg (2.21 lbs)



• Specifications may be subject to change without notice.

For further information, contact:



Since 1915

**Japan Radio Co., Ltd.**

URL <https://www.jrc.co.jp/eng/>

**Tatsumi Office:** 7-32, Tatsumi 1-chome, Koto-ku, Tokyo  
135-0053, Japan  
Telephone: +81-3-5534-1207  
Facsimile : +81-3-5534-1199

**Overseas Branches :** Athens, Manila  
**Liaison Offices :** Taipei, Hanoi, New York  
**Overseas Subsidiaries :** Busan, Shanghai, Singapore  
Jakarta, Rotterdam, Egersund  
Houston, Rio de Janeiro

36EM

ISO9001, ISO14001 Certified