

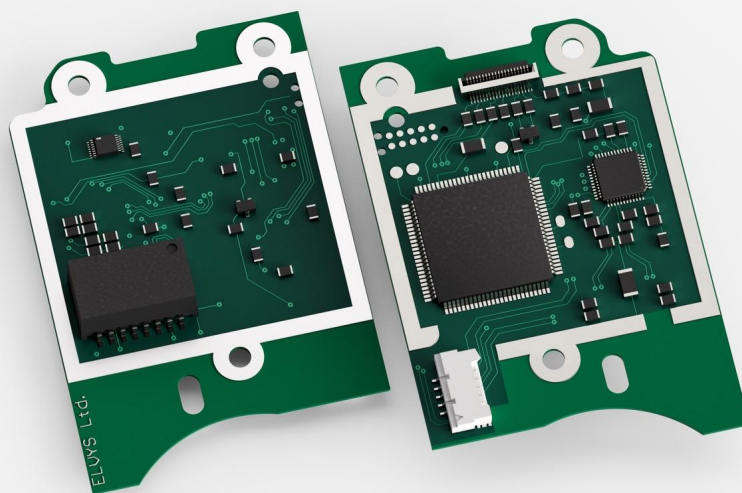
BASE RADIOTELEPHONE CONTROLLER

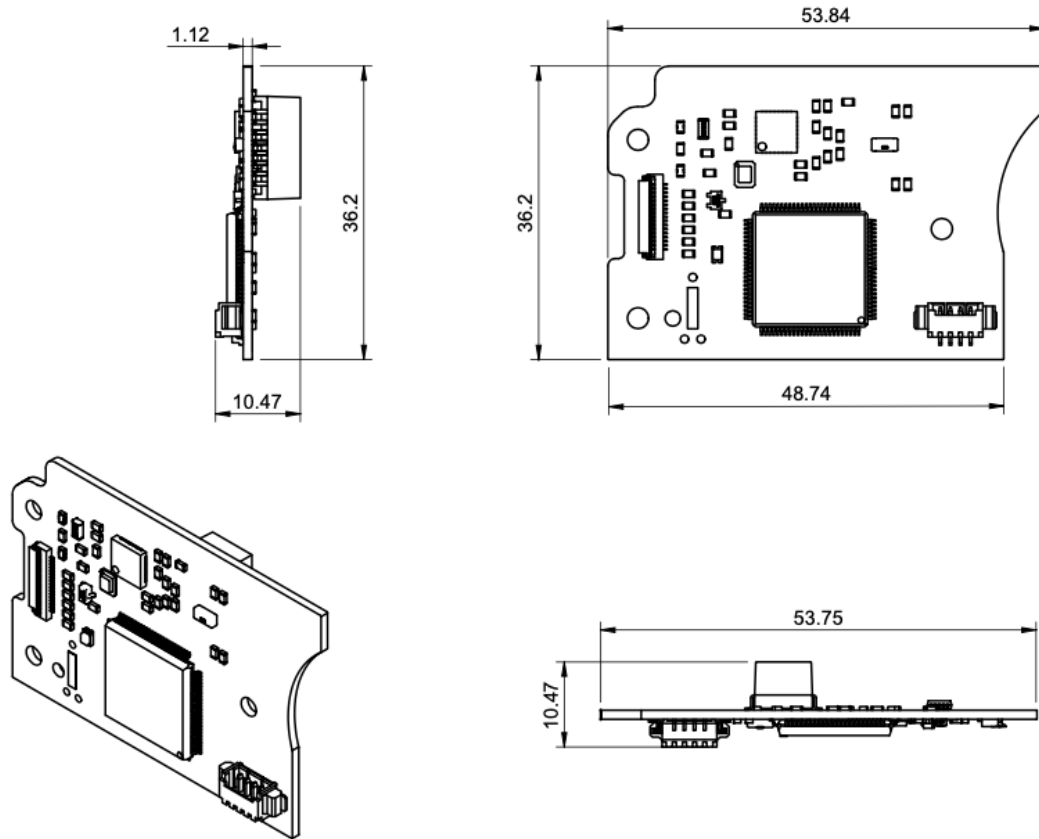
Mini-Board

The latest design of radio controller is made in the form of a board to be installed inside the controlled base radiotelephone (so-called "option board"), currently available for Motorola Solutions (DM4xxx series) and Hytera radios. The controller controls the radio using proprietary protocols of radiotelephone manufacturers. Basic information about the controller status is available on the displays of controlled radios. The module is powered from the radiotelephone and the control is done by the external network connector.

Functions available on the controlled radio:

- channel change;
- tone signaling (in analogue mode);
- readout of radiotelephone GIO connector contacts;





TECHNICAL PARAMETERS

Input voltage	12V
Power usage	850mA (1 module)
External dimensions	450x225x43 mm
Project	19" rack, 1U height
Weight	3,5 kg
Ethernet	100 Mbps
GPIO inputs	3 x 12V

Elvys Polska Sp. z o.o.
 Al. Grunwaldzka 413
 80-309 Gdańsk

+48 500 100 902
www.elvys.pl

Mission critical
 communication