



Data Sheet

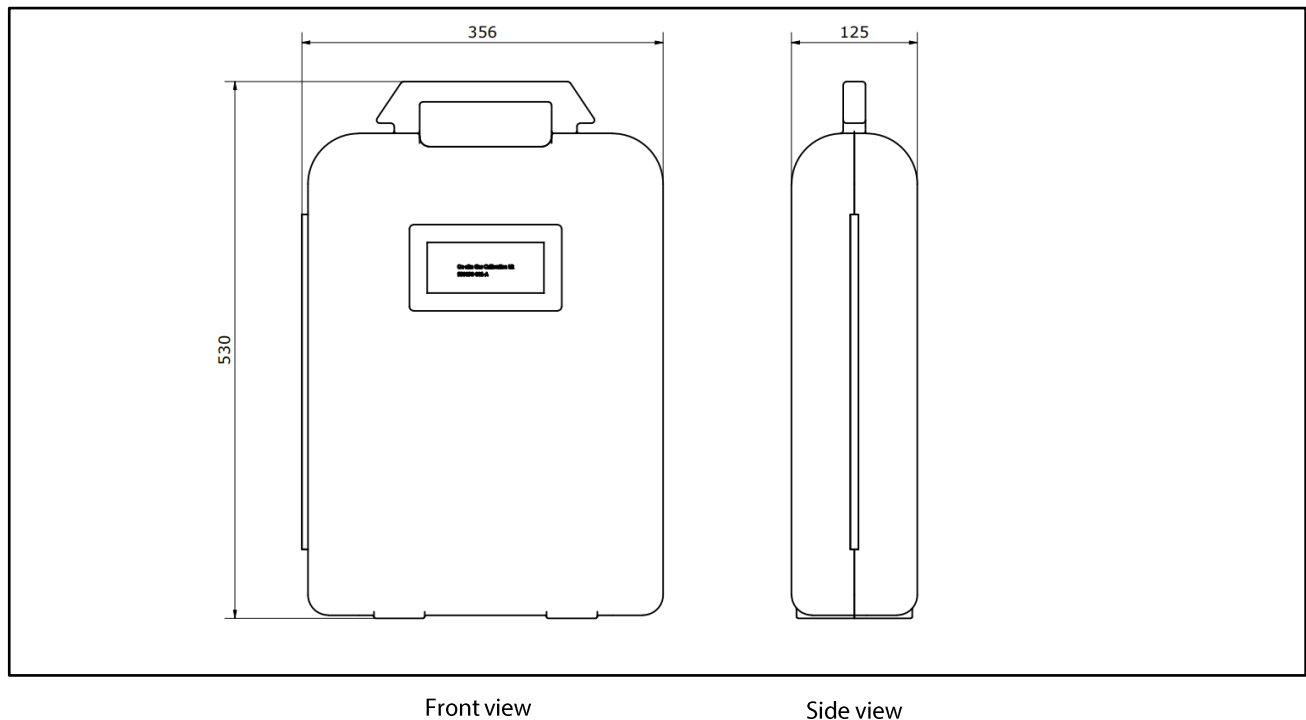
On-site Gas Calibration Kit – Prod. no. 930090

Key benefits

- Easy on-site gas calibration of MES 1001 MARPOL and MES 1002 sensors.
- Easy to use.
- Step-by-step instruction manual included.
- Safely storage of gas cylinder protecting the fixed flow regulator while performing on-site calibration.

Functionality

- On-site gas calibration of MES 1001 MARPOL and MES 1002 sensors.
- The calibration kit contains the equipment for performing gas calibration.
- The calibration kit carry case can carry two gas cylinders and has a shoulder strap for carrying.
- Recycling tool included for decommissioning the non-refillable gas cylinders which can be disposed as normal aluminum waste.

Data Sheet**Emission Sensor (In Situ NOx Sensor)****Illustration 1: Dimensions**

All dimensions are in mm.

Specification

Prod. no.: 930090

Parameter	Description
General	
Application	On-site gas calibration of MES 1001 MARPOL and MES 1002
What's in the Calibration Kit	
Content	Carry case Fixed flow regulator incl. pressure gauge Gas tubing 2,5 meter incl. tube connector Recycling tool Instruction manual
Dimensions	
Size (H x W)	530 x 356 mm
Weight	2,8 kg
Gases	
Span gas for calibration	Gas cylinders are ordered separately



DANFOSS IXA
tel: +45 74 88 85 00
ixa@danfoss.com
www.danfoss-ixa.com