

NEW DIESEL SWITCH

Management & Treatment

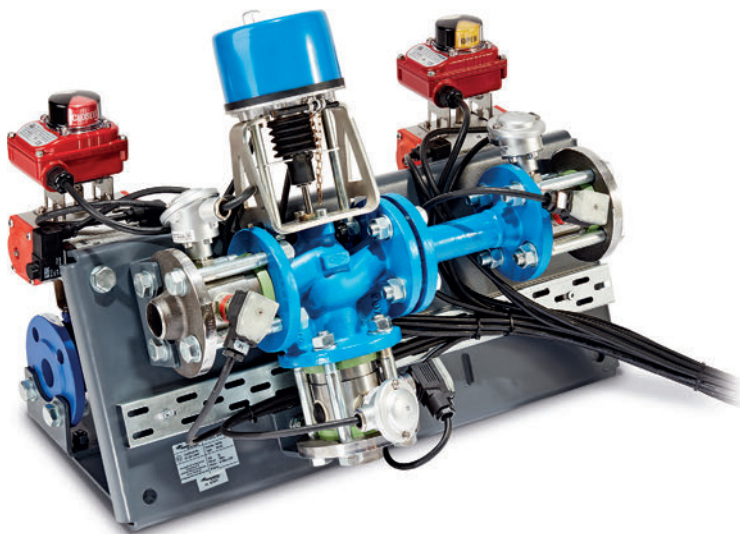
NEW DIESEL SWITCH

Fuel management without compromise

The NEW DIESEL SWITCH is a fuel management system which helps you to comply with MARPOL regulation. It controls fully automatically the change over and blending process on board your good vessels and will manage additional processes within your fuel system.

Protect your engine - no human risk!

Save ship operation - change over or blending process in maneuvering area's.



Control Cabinet

Features:

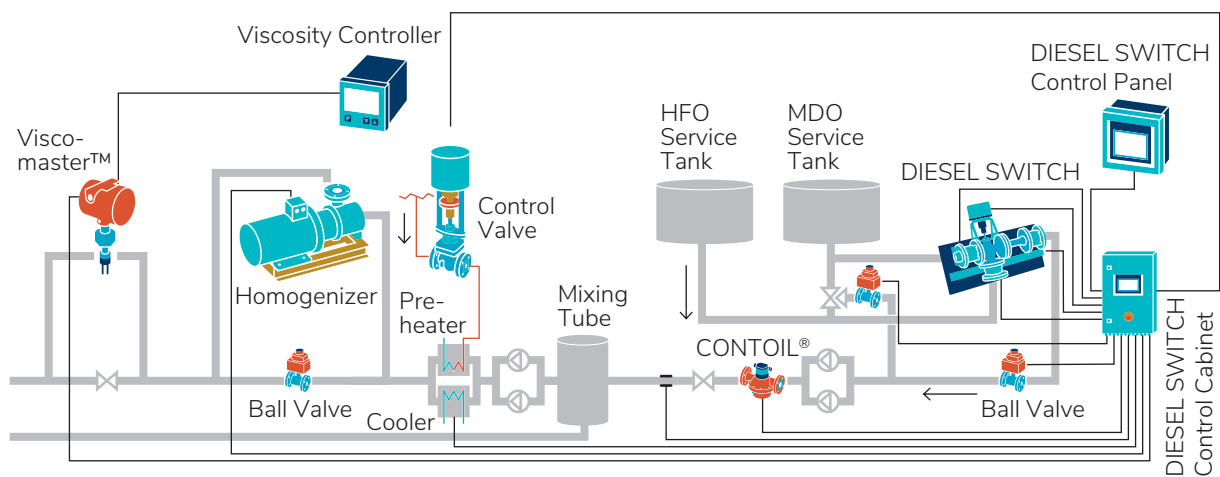
- » Simplest and universal design / turn key product
- » Automatic fuel change over or permanently controlled fuel blending of different types of fuel oil
- » Full DNVGL type approval certificate
- » Saving fuel costs
- » Control of rise of fuel temperature on engine inlet
- » Full data visualization and storage
- » Additional GPS-position and logging available

Benefits:

- » Fast and safe fuel switching under normal ship operation conditions
- » Continuous blending possible to save expensive MDO/MGO
- » High ship availability and safety in maneuvering area's
- » Complies with MARPOL regulations
- » Easy installation / short downtime
- » Prevent thermal damage on engine
- » Prevent propulsion lost caused by low viscosity

SYSTEM OVERVIEW

The use of a Fuel Management System with automated, secure switching from HFO to MDO/MGO and vis-versa, offers the possibility to realize a secure, yet fast switching operation with knowledge and monitoring of system. A reduction of the engine power is not required.



WORLDWIDE EMISSION CONTROL AREAS (ECA)



Current Situation

0.50 % global limit (MARPOL 2020)

0.10 % Emission Control Area limit (MARPOL)

0.50 % limit, China national waters (12 nm), 2019

Planned ECA's with different fuel quality:

- | | | |
|---------------------|-------------|--------------|
| » Mediterranean Sea | » Singapore | » Black Sea |
| » Coasts of Mexico | » Korea | » Arctic |
| » Tokyo Bay | » Australia | » Antarctica |



THE CHALLENGE

New FUEL REGULATION 2020 Global Sulphur Limit

- » January 2020 ban on using non-compliant fuel oil for propulsion or operation on board a ship as per resolution MEPC.280(70)
- » Ship implementation plan for 0.50 % global sulphur limit
- » Risk assessment and mitigation plan on the impact of new fuels
- » Modifications of the fuel oil system & tank cleaning (as needed)
- » Fuel oil capacity & segregation capability
- » Procurement of compliant fuel oil
- » Fuel oil change over / fuel oil blending – SOx emission control
- » Documentation & reporting
- » Capability / suitability of the ship's equipment (pumps/boilers) to handle different fuel oil types
- » Characteristics, heating requirements, compatibility of different fuel oil types which are commingled in bunkering
- » Fuel oil change over and crew preparedness/training for change over procedures during fuel switching between different types of fuel oil



TECHNICAL DESCRIPTION

Manual change over valve

- ! Risk of incidents due to uncontrolled change over
- ! Risk of damages in fuel system due to temperature shocks

NEW DIESEL SWITCH

- ✓ Automatic and safe change over unit with safety functions
- ✓ No risk of incidents
- ✓ Improved temperature separation of fuel systems
- ✓ Class approved change over or blending procedure
- ✓ Simple and universal design - easy installation
- ✓ Automated, permanently controlled fuel blending
- ✓ Viscosity monitoring with alarm function

- » Compliant performance for operation of 0,5 % sulphur fuels
- » Compliant performance for high sulphur fuels with variable wasted performance of scrubbers



RECOMMENDED OPTION HOMOGENIZER

Homogenizing of fuel oil and fuel oil blends

- » Continuous HFO homogenizing on board
- » Pure mechanical and no chemical treatment
- » Improved combustion process
- » Fuel cost saving potential reduced fuel oil sludge in fuel circulating system

CERTIFICATE

DNV·GL	
Certificate No: TAP00001BK	
Revision No: 3	
TYPE APPROVAL CERTIFICATE	
This is to certify:	
That the Change over and blending system for liquid fuel	
with type designation(s) DIESEL SWITCH	
Issued to Aquametro Oil & Marine AG Therwil, BL, Switzerland	
is found to comply with DNV GL rules for classification – Ships Pt.4 Ch.6 Piping systems DNV GL class guideline DNVGL-CG-0339 – Environmental test specification for electrical, electronic and programmable equipment and systems	
Application :	
Product(s) approved by this certificate is/are accepted for installation on all vessels classed by DNV GL.	
Max. working pressure:	16 bar
Max. working temperature:	150°C



info@aquametro-oil-marine.com
www.aquametro-oil-marine.com

Aquametro Oil & Marine AG
CH-4106 Therwil, Switzerland
Phone +41 61 725 44 00

Aquametro Oil & Marine GmbH
DE-18119 Rostock, Germany
Phone +49 381 382 530 00

VD 7-500 e 02.2020
The english version shall prevail. Subject to change without notice.
All intellectual property rights are exclusively with Aquametro Oil & Marine AG, Switzerland