

KOYO

WATERTIGHT LED FLOOD LIGHT (TYPE : KFL165W865)

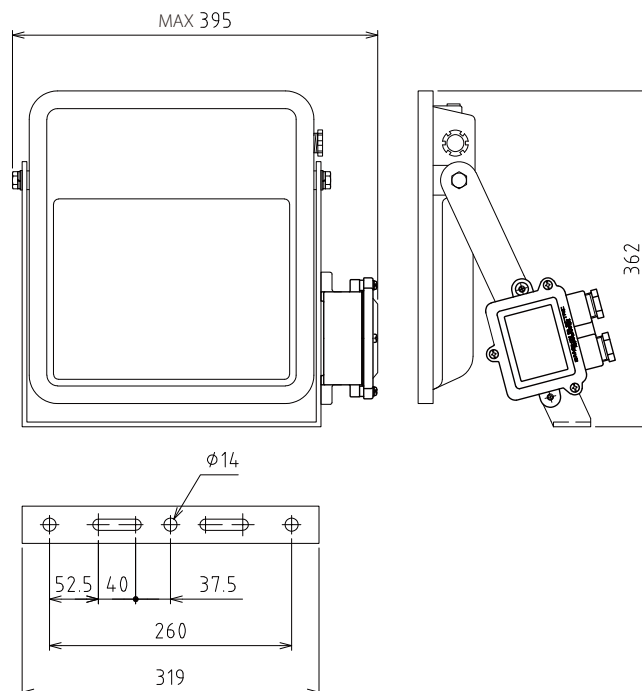
IP66

[Features and Benefits]

- Total flux 20,000lm
- 165W electricity consumption
Generally, the mercury lamp that has similar brightness as this Marine LED Floodlight consume more than 400W
- Aluminum die cast body. SUS304 arm part.
- Vibration inspection (JISF8006) passed product. Protection Grade IP66.
- Light distribution angle 100

[Option]

- Rotatable base.



Model Number	Rated input voltage	Total flux	Color temperature	Protection Grade	Wattage	Weight	Operating temperature
KFL165W865	AC100-277V	20,000lm	6,500K	IP66	165W	6kg	-30~50°C

Caution: When replacing this Marine LED Floodlight from existing equipment, please never fail to remove the equipment and it's ballast.



Please check here for specifications
URL : <https://www.koyodenki.co.jp/photo/Goods/Photo5/2024020894632.pdf>

[Information]

General Agency
KOYO Denki.co.ltd
3-1-18 Hiyoshi-town, Nagata-ward,
Kobe city, Hyogo prectecture
653-0039

TEL:078-631-1212 FAX:078-647-5511
<http://www.koyodenki.co.jp>
E-mail:ship@koyodenki.co.jp

OSRAM LEDVANCE

Sales Agency