

Shipboard • SiHF Cable

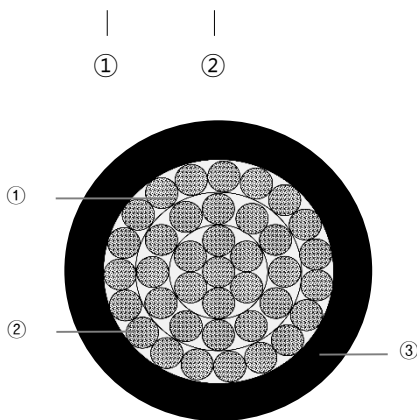
Halogen free Switchboard Wire (HFFRX-SW)



- It is mainly applied to switchboards in ships and is used as a fixed cable for various electrical and electronic equipment.
- It is suitable for humid and oily marine environments and has excellent durability in electrical equipment.
- It is a halogen-free product and has excellent flame retardant properties, so it prevents the spread of flame and does not generate toxic gas in case of fire.



- ① Conductor
- ② Separator
- ③ Insulation



BS-HFFRX-SW					
Nos.	SQMM	Nos.	SQMM	Nos.	SQMM
1 Core	0.5	1 Core	4.0	1 Core	35.0
	0.75		6.0		50.0
	1.0		10.0		70.0
	1.5		16.0		95.0
	2.5		25.0		-

- Type Approval certificated by 3 ship's classification : ABS(USA), DNV(Norway)



Product Description	
Usage Voltage	0.6/1.0kV (1.2kV)
IEC Standard	IEC60092-350, 353 Design Guideline IEC60092-360 Halogen Free IEC60332-1, 3 Cat. A Flame Retardant IEC61034-2 Smoke Emission IEC60754-1,2 Halogen Content IEC60811 Oil Resistant
Used Temperature	-30°C ~ 90°C



船舶用ケーブル

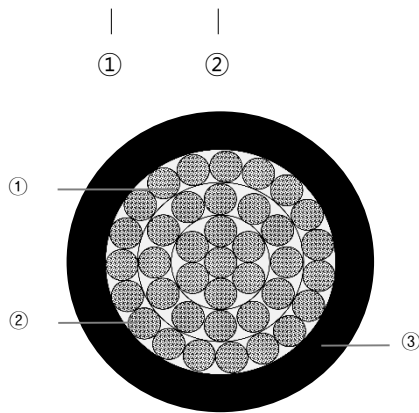
ハロゲンフリースイッチボードワイヤ
(HFFRX-SW)

Halogen free Switchboard Wire
0.6/1KV

- 船舶内の配電盤に主に適用され、様々な電気・電子機器に固定用ケーブルとして使用
- 湿気や油の使用が多い海洋環境に適しており、電気機器内の耐久性に優れています
- 無ハロゲン製品および難燃特性が優れており、火災時に炎が広がることを防ぎ、有毒ガスが発生しない



- ① Conductor
- ② Separator
- ③ Insulation



BS-HFFRX-SW					
Nos.	SQMM	Nos.	SQMM	Nos.	SQMM
1 Core	0.5	1 Core	4.0	1 Core	35.0
	0.75		6.0		50.0
	1.0		10.0		70.0
	1.5		16.0		95.0
	2.5		25.0		-

- 船級認証 3カ国 : ABS(USA), DNV(Norway), NK(Japan)



Product Description	
Usage Voltage	0.6/1.0kV (1.2kV)
IEC Standard	IEC60092-350, 353 Design Guideline IEC60092-360 Halogen Free IEC60332-1, 3 Cat. A Flame Retardant IEC61034-2 Smoke Emission IEC60754-1,2 Halogen Content IEC60811 Oil Resistant
Used Temperature	-30°C ~ 90°C

