

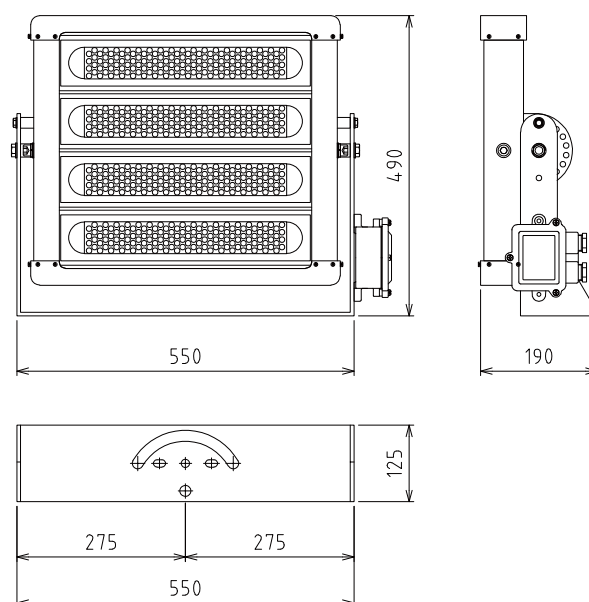
KOYO

WATERTIGHT LED FLOOD LIGHT (TYPE : KFL400W865)

IP66

[Features and Benefits]

- Total flux 57,000lm
- 400W electricity consumption
Generally, the mercury lamp that has similar brightness as this Marine LED Floodlight consume more than 1000W
- Aluminum die cast body.
- SUS304 arm part.
- Vibration inspection (JISF8006) passed product. Protection Grade IP66.
- Light distribution angle 90
- Multi-directional adjustable arm shape



Model Number	Rated input voltage	Total flux	Color temperature	Protection Grade	Wattage	Weight	Operating temperature
KFL400W865	AC100-240V	57,000lm	6,500K	IP66	400W	24kg	-40~45°C

Caution: When replacing this Marine LED Floodlight from existing equipment, please never fail to remove the equipment and it's ballast.



Please check here for specifications
URL : <https://www.koyodenki.co.jp/photo/Goods/Photo5/2024020894615.pdf>

[Information]

General Agency
KOYO Denki.co.ltd
3-1-18 Hiyoshi-town, Nagata-ward,
Kobe city, Hyogo prefecture
653-0039

TEL:078-631-1212 FAX:078-647-5511
<http://www.koyodenki.co.jp>
E-mail:ship@koyodenki.co.jp

OSRAM LEDVANCE

Sales Agency